

## LZZJB6-10 Current Transformer LZZB6-10 LZZQB6-10 Indoor Cast Resin Insulated

### Technical data

Type	Rated primary current (A)	Accuracy classes combination	Rated output (VA)	Short-time thermal current (KA/S)	Rated dynamic current (KA)
LZZB6-10	5-100	0.2/0.2	10/10	150 I <sub>ln</sub>	375 I <sub>ln</sub>
	150	0.2/0.5	10/10	22.5	44
LZZB6-10Q	200,300	0.5/10P10	10/15	24.5	44
	100			15	38
LZZJB6-10	150	0.2/0.2	10/10	22.5	
	200	0.2/0.5	10/10	24.5	44
LZZJB6-10Q	300	0.5/10P15	10/15		
	400,500,600			33	59
	800,1000,1200,1500			41	74
LZZQB6-10	20,30			8	20
	40	0.2/0.2	15/15	12	30
	50	0.2/0.5	15/15	16	40
	75	0.5/10P15	15/20	20	50
	100,150,200,300				
LZZQB6-10Q	400	0.2/0.2	20/20	31.5	80
	500	0.2/0.5	20/20		
LZZQB6-10Q	500	0.5/10P15	20/30		
	600	0.2/0.2	30/30	44.5	80
	800	0.2/0.5	30/30		
	1000-1500	0.5/10P15	30/40	63	110

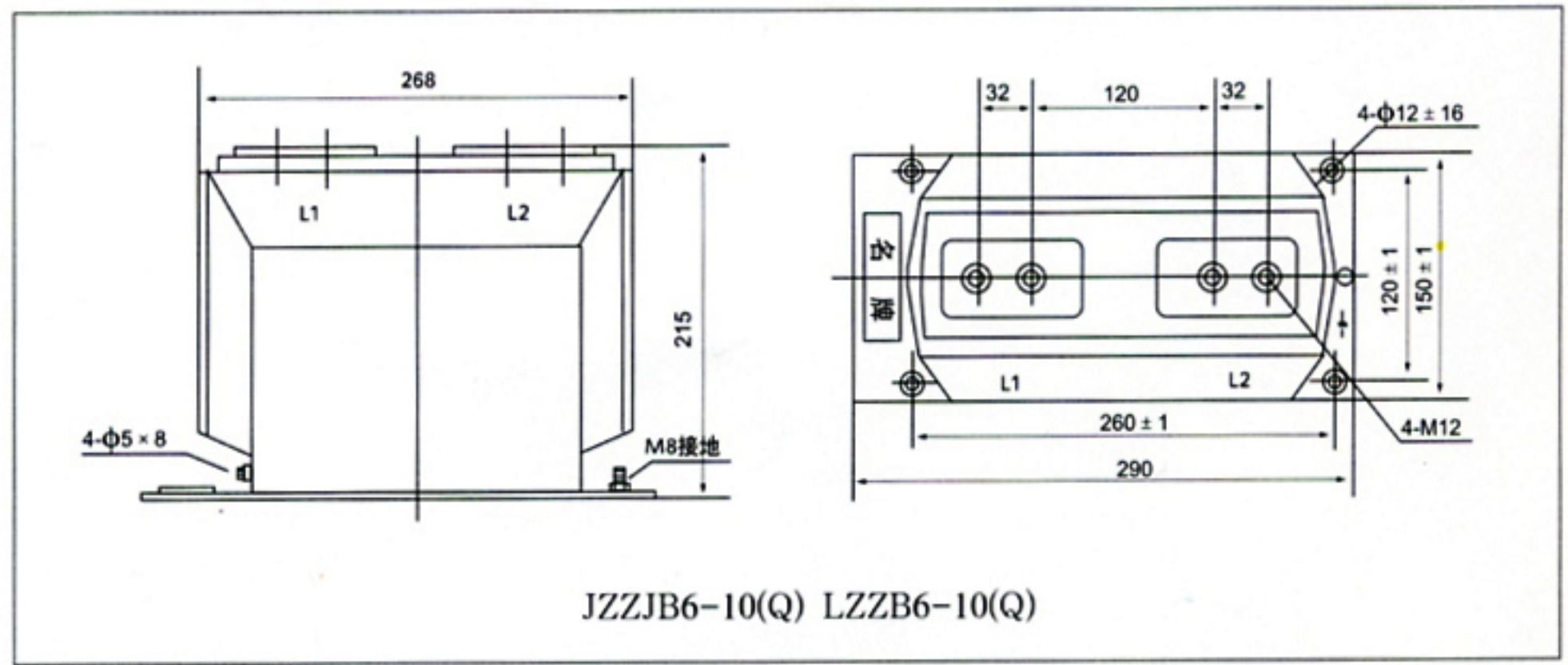
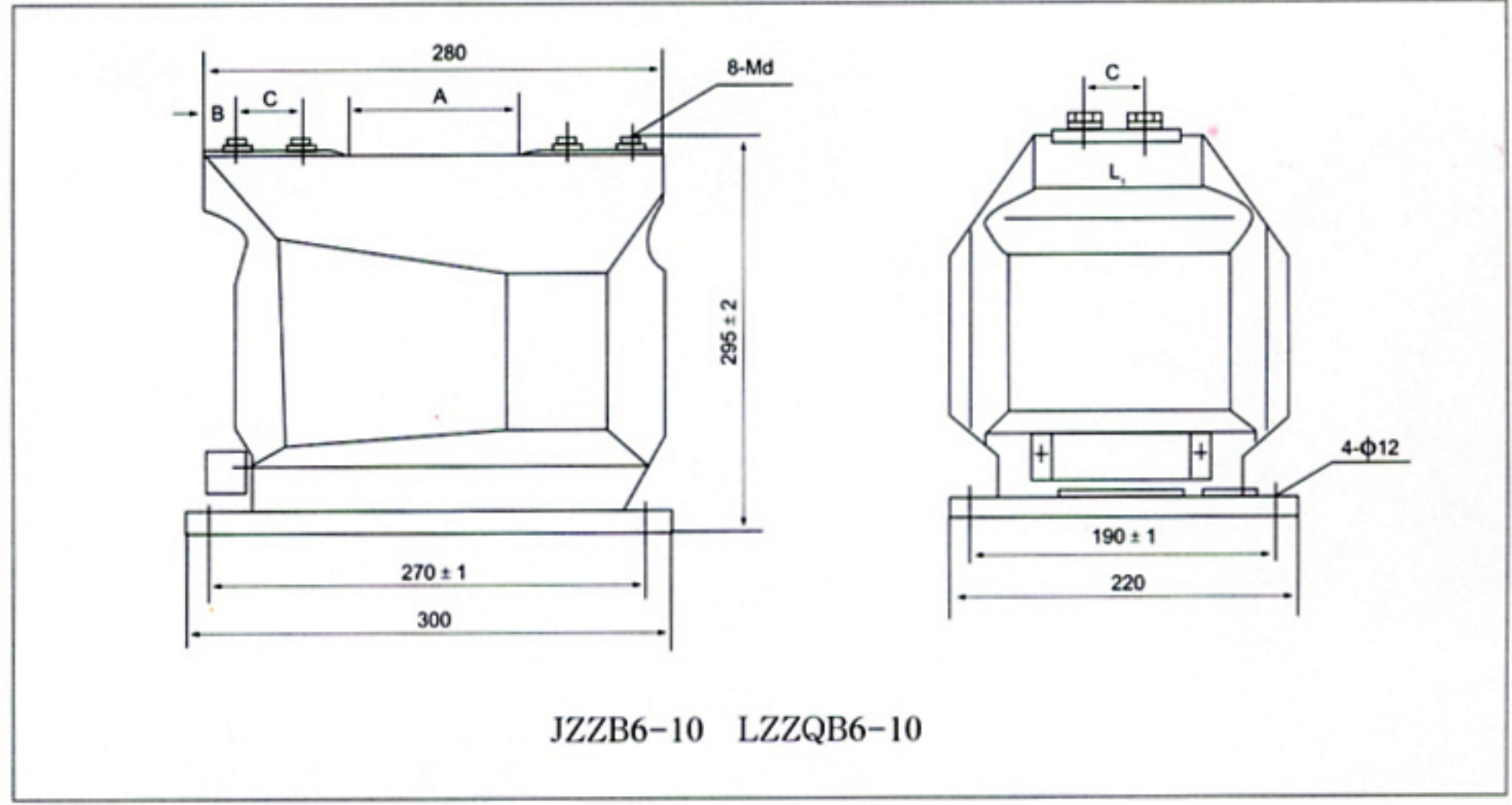
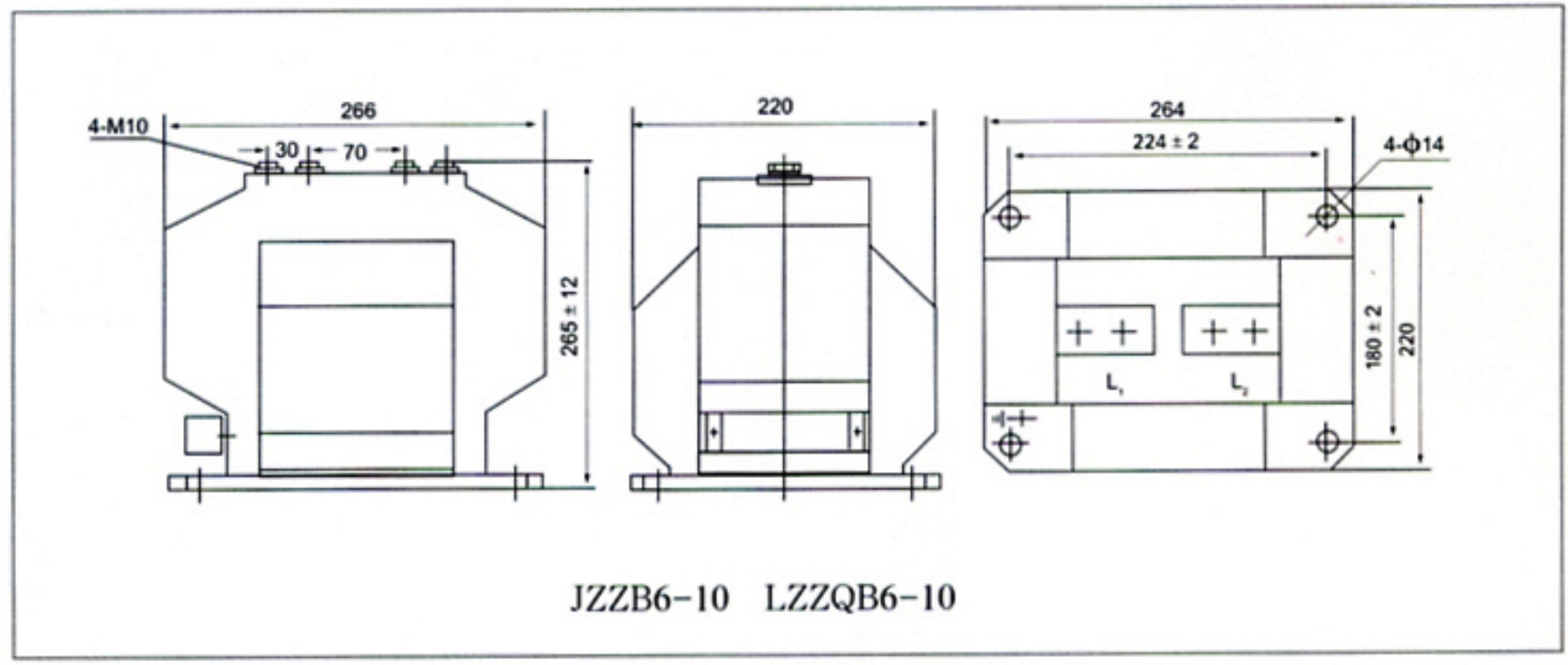


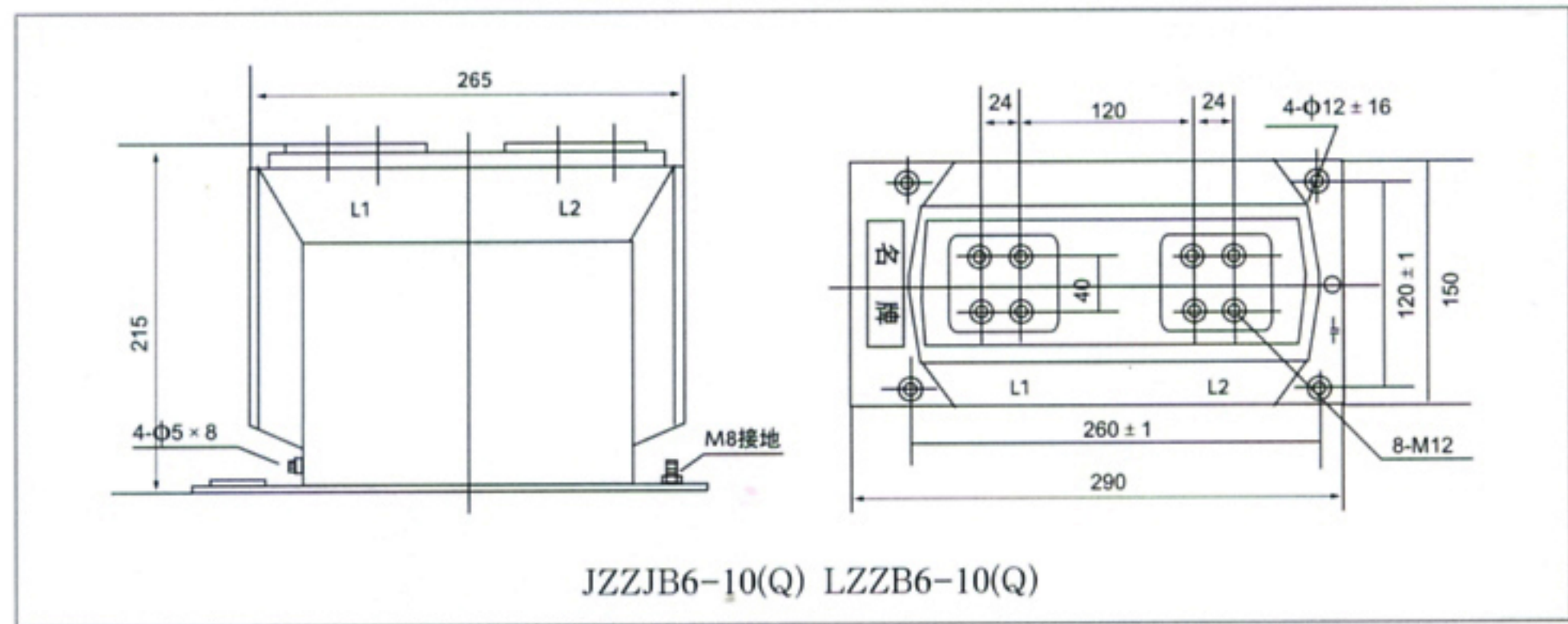
## The technical data

Performance conforms with IEC standard and GB1208-97 "Current Transformer"

1. Rated insulation level;
2. The power factor of burden: 0.8 (lagging);
3. Partial discharge level is in accordance with GB5583 and IEC44-4 "Measurement" of partial discharge level will not exceed 20PC.
4. Combination of accuracy class 0.5\5p15
5. Rated secondary classes 0.5\1A
6. Rated frequency 50-60Hz.

## Overall dimension





## LZZBJ12-12 Current Transformer Indoor Cast Resin Insulated

LZZB8(AS12)/150b/2S (AS12)/185b/2S (AS12)/150b/4S (AS12)/185b/4S

### The technical data

- 2.1 Rated insulation level: i12/42/75KV;
- 2.2 Frequency(Hz): 50Hz
- 2.3 Rated primary current :50-1200(1250)A;
- 2.4 Rated secondary current: 5A;
- 2.5 Accuracy classes: 0.5/5p;
- 2.6 Meter range class safeguard sytem:  $F_s < 10$ ;
- 2.7 5Pff rated aaccuracy lint factor: 5P10;
- 2.8 The measurement of partial discharge level is in accordance with GB5583-85 and IEC44-4, Apparent partial discharge level not more than 20PC;
- 2.9 Power factor: 0.8(hysteresis);
- 2.10 Rated primary currnet accuarcy classes, rated output and short-time thermal currnet see talbe 1.

### Technical data

Pated primary current (A)	LZZB8(AS12)/150b/2S		LZZB8(AS12)/150b/4S		LZZB8(AS12)/185h/2		LZZB8(AS12)/185h/4	
	0.5-10VA 10P10-5VA	0.5-15VA 5P10-15VA	0.5-15VA 5P10-15VA	0.5-15VA 5P10-15VA 5P20-20VA	0.5-10VA 10P10-5VA	0.5-15VA 5P10-15VA	0.5-15VA 5P10-15VA	0.5-15VA 5P10-15VA 5P20-20VA
	IthkA/s	IthkA/s	IthkA/s	IthkA/s	IthkA/s	IthkA/s	IthkA/s	IthkA/s
20			5' /2	16	7/2	22	10.5/2	33
30,40	7/2	22	7/2	22	8.6/2	27	5/2	16
50,60	12/2	38	5/2	16	12/2	38	18.5/2	43
75	19/2	60	7/2	22	48/2	56	8.5/2	27
100	24/2	76	8/2	25	25/2	76	28/2	89
160(150)	31.5/3	100	14/2	44	31.5/2	100	31.5/3	100
200			25/2	80	31.5/2	100	40/3	128
315(300)			31.5/3	100	40/3	128	40/3	128
400			31.5/3	100	40/3	128	40/3	128
500,630 (600)			31.5/3	100	40/3	128	40/3	128
800(750), 1000,1250			31.5/3	100	40/3	144	45/3	144
1600(1500), 2000							50/3	160
2500							63/3	200